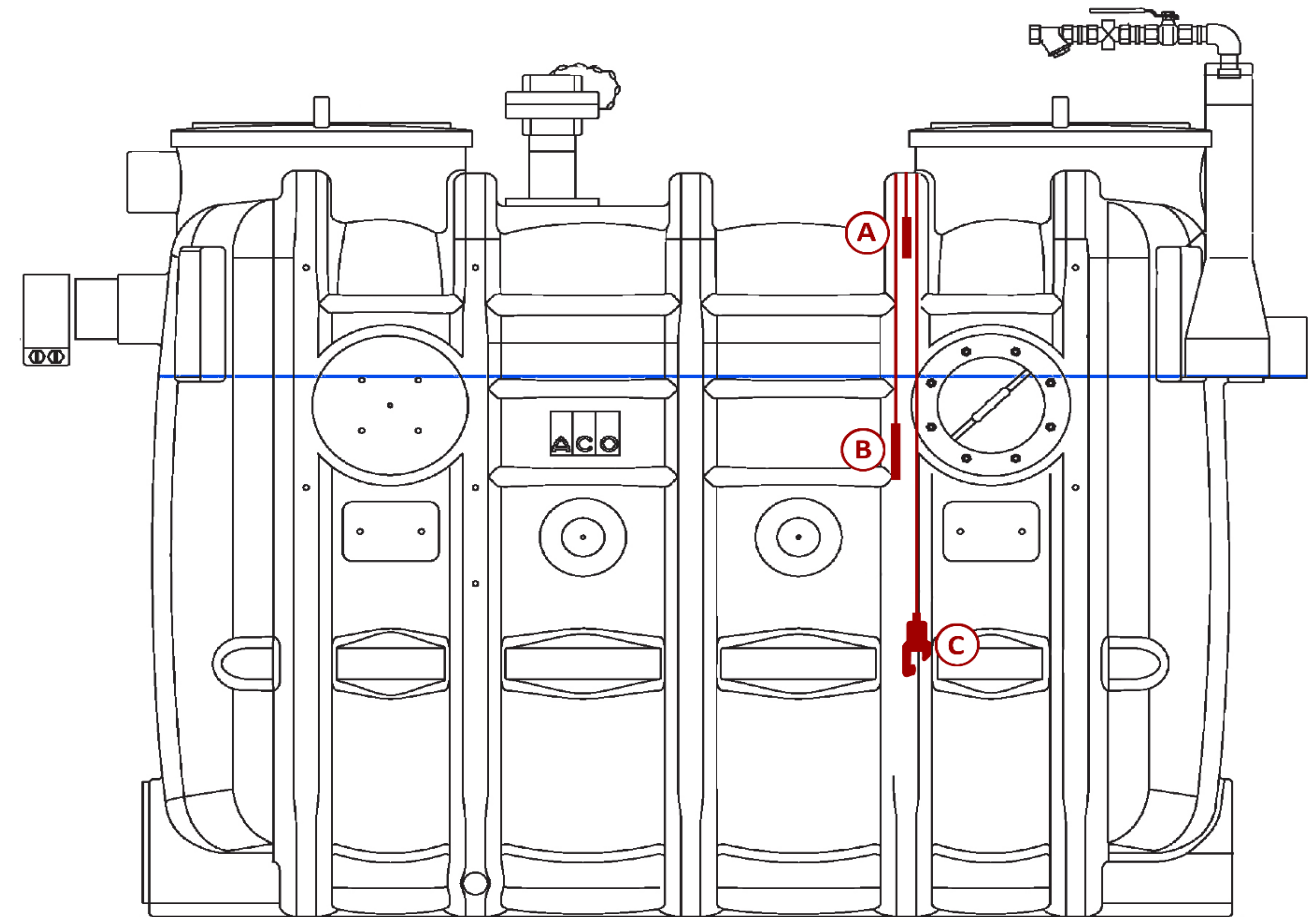
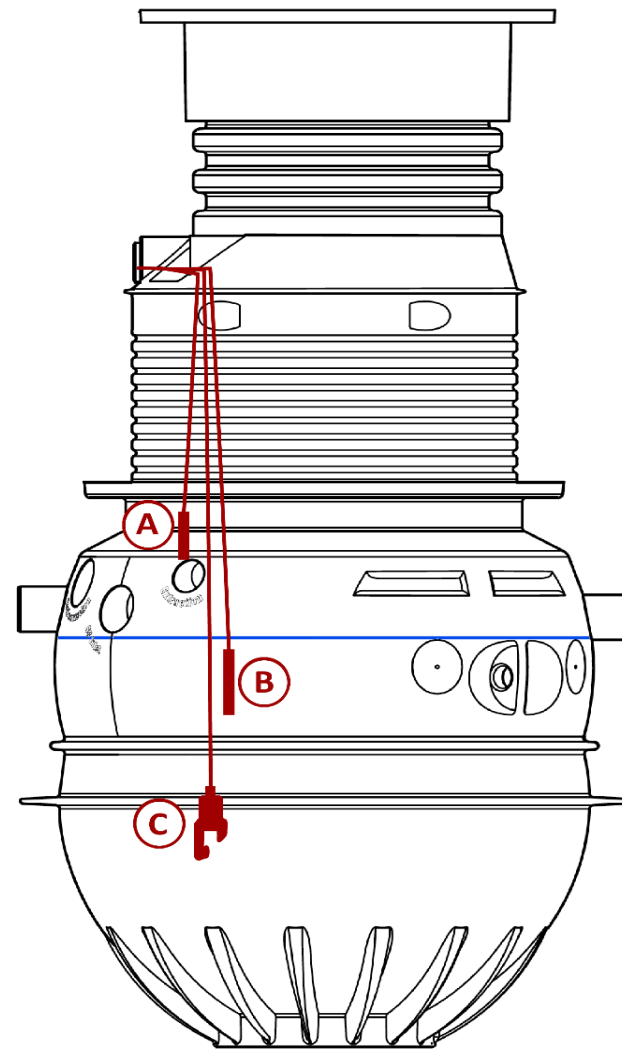




ACO Procurat

Anturin kärjen korko poistoyhteen vesijuoksusta mm (täytetyn erottimen vedenpinnan taso)
+ ylöspäin / - alaspäin



Öljynerottimet

Tuotenumero	Lujitemuovi	Eroittimen säiliötunniste	Eroittimen nimi	A	B	C
				Padotusanturi (R6)	Kerrosanturi rasva/öljy (ES4)	Lieteananturi (ES8)
				mm	mm	mm
12601.42.XX.X	12601	ACO OLEOPATOR G NS 3/300	123	-150	-564	
12602.42.XX.X	12602	ACO OLEOPATOR G NS 3/600	123	-150	-732	
12603.42.XX.X	12603	ACO OLEOPATOR G NS 3/900	150	-295	-964	
12672.42.XX.X	12672	ACO OLEOPATOR G NS 4/3300	157	-150	-1273	
12673.42.XX.X	12673	ACO OLEOPATOR G NS 4/4500	157	-150	-1206	
12611.42.XX.X	12611	ACO OLEOPATOR G NS 6/600	138	-148	-699	
12612.42.XX.X	12612	ACO OLEOPATOR G NS 6/1200	134	-152	-829	
12613.42.XX.X	12613	ACO OLEOPATOR G NS 6/1800	198	-172	-1017	
12674.42.XX.X	12674	ACO OLEOPATOR G NS 6/3200	198	-172	-1045	
12675.42.XX.X	12675	ACO OLEOPATOR G NS 6/4200	198	-172	-1239	
12676.42.XX.X	12676	ACO OLEOPATOR G NS 6/5200	198	-172	-1437	
12678.42.XX.X	12678	ACO OLEOPATOR G NS 8/1800	198	-172	-1017	
12679.42.XX.X	12679	ACO OLEOPATOR G NS 8/2500	198	-172	-1164	
12680.42.XX.X	12680	ACO OLEOPATOR G NS 8/3200	198	-172	-1045	
12682.42.XX.X	12682	ACO OLEOPATOR G NS 8/5200	198	-172	-1437	
12621.42.XX.X	12621	ACO OLEOPATOR G NS 10/1000	194	-176	-894	
12683.42.XX.X	12683	ACO OLEOPATOR G NS 10/2000	198	-172	-1017	
12684.42.XX.X	12684	ACO OLEOPATOR G NS10/2500	198	-172	-1164	
12685.42.XX.X	12685	ACO OLEOPATOR G NS 10/3200	198	-172	-1045	
12686.42.XX.X	12686	ACO OLEOPATOR G NS10/5200	198	-172	-1437	
12630.42.XX.X	12630	ACO OLEOPATOR G NS 15/0	196	-188		
12631.42.XX.X	12631	ACO OLEOPATOR G NS 15/1500	196	-188	-868	
12632.42.XX.X	12632	ACO OLEOPATOR G NS 15/3000	196	-188	-1293	
12677.42.XX.X	12677	ACO OLEOPATOR G NS 15/6200	196	-188	-1257	
12641.42.XX.X	12641	ACO OLEOPATOR G NS 20/0	294	-244		
12645.42.XX.X	12645	ACO OLEOPATOR G NS 20/2000	294	-244	-1266	
12642.42.XX.X	12642	ACO OLEOPATOR G NS 20/4000	277	-212	-1072	
12643.42.XX.X	12643	ACO OLEOPATOR G NS 20/6000	277	-212	-1270	
12650.42.XX.X	12650	ACO OLEOPATOR G NS 30/0	298	-287		
12651.42.XX.X	12651	ACO OLEOPATOR G NS 30/3000	298	-287	-1152	
12652.42.XX.X	12652	ACO OLEOPATOR G NS 30/6000	298	-287	-1502	
12660.42.XX.X	12660	ACO OLEOPATOR G NS 40/0	417	-260		
12661.42.XX.X	12661	ACO OLEOPATOR G NS 40/4000	417	-260	-1357	
12670.42.XX.X	12670	ACO OLEOPATOR G NS 50/0	437	-260		
12671.42.XX.X	12671	ACO OLEOPATOR G NS 50/5000	437	-260	-1444	
12681.2.XX.X	12681	ACO OLEOPATOR G NS 65	402	-381		
12691.2.XX.X	12691	ACO OLEOPATOR G NS 80	495	-522		
12695.2.XX.X	12695	ACO OLEOPATOR G NS 100	495	-522		
13611.XX.X	13611	ACO OLEOPATOR G NS 6/600 VENTTIILILLÄ	251	-110	-690	
13621.XX.X	13621	ACO OLEOPATOR G NS 10/1000 VENTTIILILLÄ	255	-180	-880	

Öljynerottimet

Lujitemuovi			A	B	C
			Padotusanturi (R6)	Kerrosanturi rasva/öljy (ES4)	Lieteanhuri (ES8)
Tuotenumero	Eroittimen säiliötunniste	Eroittimen nimi	mm	mm	mm
12848.2.XX.X	12848	ACO OLEOPATOR G NS 40/4000 H	448	-261	-1241
12849.2.XX.X	12849	ACO OLEOPATOR G NS 50/5000 H	468	-261	-1222
12856.2.XX.X	12856	ACO OLEOPATOR G NS 65/6500 H	587	-532	-698
12857.2.XX.X	12857	ACO OLEOPATOR G NS 80/8000 H	587	-532	-708
12858.2.XX.X	12858	ACO OLEOPATOR G NS 100/10000 H	587	-532	-708
12895.2.XX.X	12895	ACO OLEOPATOR G-H NS 150/15000	630	-715	-834
12896.2.XX.X	12896	ACO OLEOPATOR G-H NS 200/20000	560	-647	-824
12898.2.XX.X	12898	ACO OLEOPATOR G-H NS 300/0	660	-647	
12541.42.XX.X	12541	ACO OLEOPATOR-BYPASS G NS 6/60-600	228	-142	-597
12542.42.XX.X	12542	ACO OLEOPATOR-BYPASS G NS 6/60-1200	228	-142	-748
12543.42.XX.X	12543	ACO OLEOPATOR-BYPASS G NS 6/60-1800	228	-142	-1031
12544.42.XX.X	12544	ACO OLEOPATOR-BYPASS G NS 8/80-800	228	-142	-748
12545.42.XX.X	12545	ACO OLEOPATOR-BYPASS G NS 8/80-1600	228	-142	-884
12546.42.XX.X	12546	ACO OLEOPATOR-BYPASS G NS 8/80-2400	228	-142	-1173
12547.42.XX.X	12547	ACO OLEOPATOR-BYPASS G NS 10/100-1000	228	-142	-718
12548.42.XX.X	12548	ACO OLEOPATOR-BYPASS G NS 10/100-2000	228	-142	-1001
12549.42.XX.X	12549	ACO OLEOPATOR-BYPASS G NS 10/100-3000	228	-142	-1278
12550.42.XX.X	12550	ACO OLEOPATOR-BYPASS G NS 15/150-1500	226	-158	-672
12551.42.XX.X	12551	ACO OLEOPATOR-BYPASS G NS 15/150-3000	226	-158	-832
12552.42.XX.X	12552	ACO OLEOPATOR-BYPASS G NS 15/150-4500	226	-158	-1030
12553.42.XX.X	12553	ACO OLEOPATOR-BYPASS G NS 20/200-2000	324	-214	-947
12554.42.XX.X	12554	ACO OLEOPATOR-BYPASS G NS 20/200-4000	324	-214	-1297
12555.42.XX.X	12555	ACO OLEOPATOR-BYPASS G NS 20/200-6000	324	-214	-1508
12556.42.XX.X	12556	ACO OLEOPATOR-BYPASS G NS 30/300-3000	378	-207	-1045
12557.42.XX.X	12557	ACO OLEOPATOR-BYPASS G NS 30/300-6000	378	-207	-1408
12558.42.XX.X	12558	ACO OLEOPATOR-BYPASS G NS 30/300-9000	378	-207	-1803
12700.42.XX.X	12700	ACO OLEOSMART G NS 4/400	103	-136	-844
12701.42.XX.X	12701	ACO OLEOSMART G NS 4/800	103	-136	-1099
12713.42.XX.X	12713	ACO OLEOSMART G NS 6/600	205	-160	-817
12714.42.XX.X	12714	ACO OLEOSMART G NS 6/1200	205	-160	-968
12703.42.XX.X	12703	ACO OLEOSMART G NS 10/1000	205	-160	-968
12704.42.XX.X	12704	ACO OLEOSMART G NS 10/2000	205	-160	-1251
12706.42.XX.X	12706	ACO OLEOSMART G NS 15/1500	213	-136	-912
12707.42.XX.X	12707	ACO OLEOSMART G NS 15/3000	213	-136	-1072
12708.42.XX.X	12708	ACO OLEOSMART G NS 20/2000	246	-208	-1138
12709.42.XX.X	12709	ACO OLEOSMART G NS 20/4000	246	-208	-1336

Öljynerottimet

Muovi			A	B	C
			Padotusanturi (R6)	Kerrosanturi rasva/öljy (ES4)	Lieteanhuri (ES8)
Tuotenumero	Eroittimen säiliötunniste	Eroittimen nimi	mm	mm	mm
146400.X/146409.X	3903.80.00	ACO OLEOPATOR P NS 3/450	190	-175	-640
146401.X/146410.X	3913.80.00	ACO OLEOPATOR P NS 3/670	190	-175	-750
146402.X/146411.X	3923.80.00	ACO OLEOPATOR P NS 3/950	190	-175	-890
146403.X/146412.X	418170	ACO OLEOPATOR P NS 6/450	240	-170	-620
146404.X/146413.X	3906.80.00	ACO OLEOPATOR P NS 6/660	240	-170	-730
146405.X/146414.X	3916.80.00	ACO OLEOPATOR P NS 6/1210	240	-170	-1000
146406.X	3908.80.00	ACO OLEOPATOR P NS 8/800	240	-200	-930
146407.X/146416.X	418171	ACO OLEOPATOR P NS 10/320	240	-200	-693
146408.X/146417.X	3910.80.00	ACO OLEOPATOR P NS 10/1080	240	-200	-1060
146600.X/146606.X	3903.81.00	ACO OLEOPATOR-BYPASS P NS 3/15/450	190	-175	-640
146601.X/146607.X	3913.81.00	ACO OLEOPATOR-BYPASS P NS 3/15/670	190	-175	-750
146602.X/146608.X	3923.81.00	ACO OLEOPATOR-BYPASS P NS 3/15/950	190	-175	-890
146603.X/146609.X	3906.81.00	ACO OLEOPATOR-BYPASS P NS 6/30/660	240	-170	-730
146604.X/146610.X	3916.81.00	ACO OLEOPATOR-BYPASS P NS 6/30/1210	240	-170	-1000
146605.X/146611.X	3910.81.00	ACO OLEOPATOR-BYPASS P NS 10/50/1080	240	-200	-1060

Rasvanerottimet

Tuotenumero	Lujitemuovi Erottimen säiliötunniste	Maahanasennettava Erottimen nimi	A	B	C
			Padotusanturi (R6) mm	Kerrosanturi rasva/öljy (ES4) mm	Lieteananturi (ES8) mm
12502.42.XX.X	12502	ACO LIPUMAX G-B 1-2/200	253	-243	-602
12509.42.XX.X	12509	ACO LIPUMAX G-B 2/400	253	-243	-769
12503.42.XX.X	12503	ACO LIPUMAX G-B 4/400	303	-243	-744
12510.42.XX.X	12510	ACO LIPUMAX G-B 4/800	303	-247	-874
12504.42.XX.X	12504	ACO LIPUMAX G-B 7/700	304	-247	-944
12511.42.XX.X	12511	ACO LIPUMAX G-B 7/1400	304	-198	-1099
12505.42.XX.X	12505	ACO LIPUMAX G-B 10/1000	304	-198	-963
12512.42.XX.X	12512	ACO LIPUMAX G-B 10/2000	304	-198	-1246
12515.42.XX.X	12515	ACO LIPUMAX G-B 15/1500	344	-312	-998
12513.42.XX.X	12513	ACO LIPUMAX G-B 15/3000	344	-312	-1294
12517.42.XX.X	12517	ACO LIPUMAX G-B 20/2000	344	-312	-1100
12516.42.XX.X	12516	ACO LIPUMAX G-B 20/4000	344	-312	-1492
12518.42.XX.X	12518	ACO LIPUMAX G-B 25/2500	394	-259	-1095
12514.42.XX.X	12514	ACO LIPUMAX G-B 25/5000	394	-259	-1444

Tuotenumero	Muovi Erottimen säiliötunniste	Maahanasennettava Erottimen nimi	A	B	C
			Padotusanturi (R6) mm	Kerrosanturi rasva/öljy (ES4) mm	Lieteananturi (ES8) mm
146000.X/146009.X	3202.80.00	ACO LIPUMAX P-B N S2/200	247	-300	-640
146001.X/146010.X	3202.80.10	ACO LIPUMAX P-B NS 2/400	247	-300	-750
146002.X/146011.X	3204.80.00	ACO LIPUMAX P-B NS 4/400	247	-300	-750
146003.X/146012.X	3204.80.10	ACO LIPUMAX P-B NS 4/800	247	-300	-1000
146004.X/146013.X	3205.80.00	ACO LIPUMAX P-B NS 5,5/550	297	-270	-1200
146005.X	3205.80.10	ACO LIPUMAX P-B NS 5,5/1100	297	-270	-1450
146006.X	3207.80.00	ACO LIPUMAX P-B NS 7/700	297	-340	-1300
146007.X	3208.80.00	ACO LIPUMAX P-B NS 8,5/850	297	-410	-1550
146008.X	3210.80.00	ACO LIPUMAX P-B NS 10/1000	297	-470	-1650

Tuotenumero	Muovi Erottimen säiliötunniste	Sisäasenteinen Erottimen nimi	A	B	C
			Padotusanturi (R6) mm	Kerrosanturi rasva/öljy (ES4) mm	Lieteananturi (ES8) mm
3551.XX.XX.X	3551.XX.XX	ACO LIPUJET NS 1	250	-105	-617
3552.XX.XX.X	3552.XX.XX	ACO LIPUJET NS 2	250	-105	-713
3553.XX.XX.X	3553.XX.XX	ACO LIPUJET NS 3	250	-120	-685
3554.XX.XX.X	3554.XX.XX	ACO LIPUJET NS 4	250	-130	-661
3555.XX.XX.X	3555.XX.XX	ACO LIPUJET NS 5,5	300	-170	-746
3557.XX.XX.X	3557.XX.XX	ACO LIPUJET NS 7	300	-170	-805
3558.XX.XX.X	3558.XX.XX	ACO LIPUJET NS 8,5	300	-180	-740
3560.XX.XX.X	3560.XX.XX	ACO LIPUJET NS 10	300	-180	-750