



ACO Freestyle gratings for Multiline channels

Freestyle design gratings 2024



ACO Freestyle gratings for Multiline channels

For thousands of years people all over the world have been fascinated by the red-hot iron and the molded honest, heavy products. Architects lend their buildings value, durability and elegance through the use of steel and iron. In architecture, small installations such as curbs, manhole covers and last but not least drainage solutions determine the overall impression of large areas.

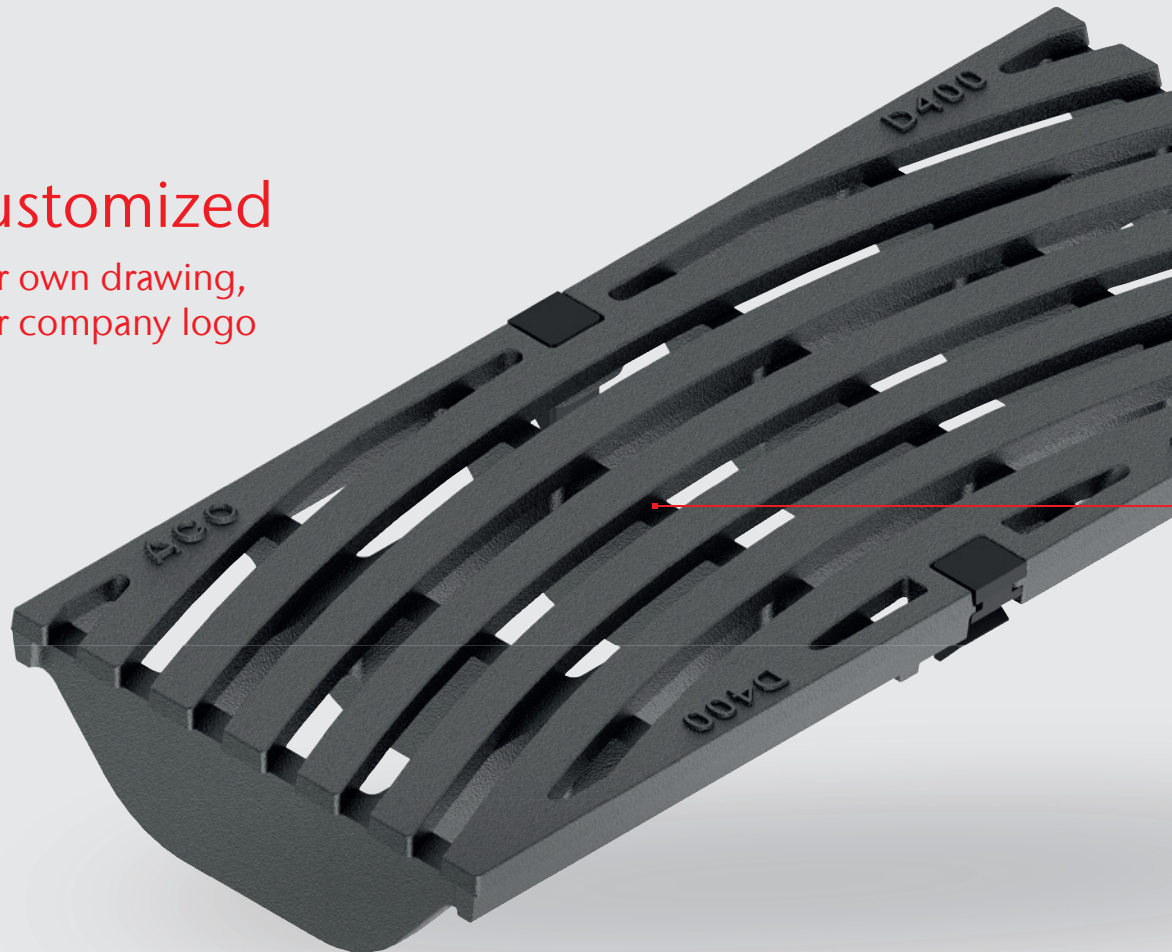
Cast iron in the right place. ACO Freestyle.



Freestyle – the 3 options

Depending on your project status, select products from stock, from our design catalog (usual delivery time 2-3 months) or create your own design starting with a minimum volume of 100 meters. (For smaller orders surcharge at least 20%)

Customized
your own drawing,
your company logo



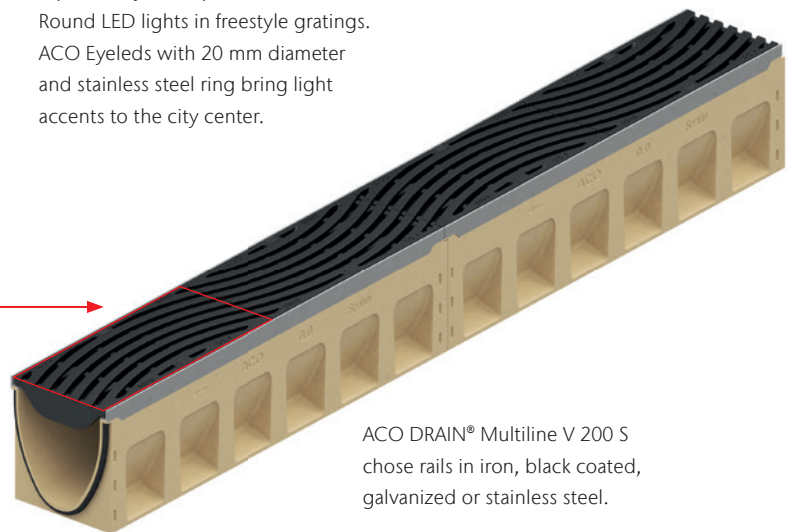
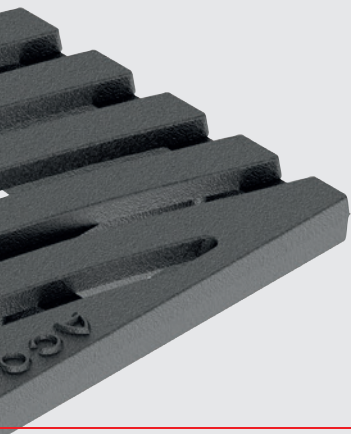
2

Designer
chose from
our catalogue

In stock
eight available patterns



A possibility with special effect:
Round LED lights in freestyle gratings.
ACO Eyeleds with 20 mm diameter
and stainless steel ring bring light
accents to the city center.



ACO DRAIN® Multiline V 200 S
chase rails in iron, black coated,
galvanized or stainless steel.

Freestyle gratings require
ACO channels with a
minimum height of 155 mm
(standard height).

- load class D400 defined in DIN EN 1433
- ACO Freestyle gratings are available for ACO channel systems in the dimensions V 100, V 150, V 200 and V 300
- material: ductile cast iron EN-GJS-500-7
- coating: black waterbased color or CDP coating
- ACO Drainlock locking system
- customized design from 200 pieces

In stock

In stock gratings

- Quantities in stock available for small projects
- missing sizes can be developed

Freestyle grating [0,5 m]	Dimension	Coating	Load class	Art.no.	Price [EUR]
Harmony					
	V 100	black coated	D 400	132135	
	V 150	black coated	D 400	132174	
	V 200	black coated	D 400	132176	
	V 300	–	–	–	
NEW Humboldt Forum, 10 mm slot width					
	V 100	black coated	D 400	132186	
Flag					
	V 100	black coated	D 400	132042	
	V 150	black coated	D 400	132045	
	V 200	black coated	D 400	132041	
	V 300	black coated	D 400	132046	
Leaf					
	V 100	black coated	D 400	132043	
	V 150	black coated	D 400	132066	
	V 200	black coated	D 400	132129	
	V 300	–	–	–	
Ray					
	V 100	black coated	D 400	132088	
	V 150	black coated	D 400	132109	
	V 200	black coated	D 400	132090	
	V 300	–	–	–	

Freestyle grating [0,5 m]	Dimension	Coating	Load class	Art.no.	Price [EUR]
---------------------------	-----------	---------	------------	---------	-------------

Square



V 100	black coated	D 400	132082
V 150	black coated	D 400	132077
V 200	black coated	D 400	132064
V 300	black coated	D 400	132161

Nature



V 100	black coated	D 400	132060
V 100	CDP	D 400	132095
V 100	CDP	C 250	132096
V 150	black coated	D 400	132106
V 150	CDP	D 400	132093
V 150	CDP	C 250	132094

SALE Industrial Microgrip, 11 mm slot width



V 100	–	–	–
V 150	black coated	D 400	132518
V 200	–	–	–
V 300	–	–	–

- in stock products are available for small projects from stock. Orders from 700 pieces can not be canceled after the start of production



ACO DRAIN® PowerDrain V 100 G
with freestyle gratings 'Nature'

Designer

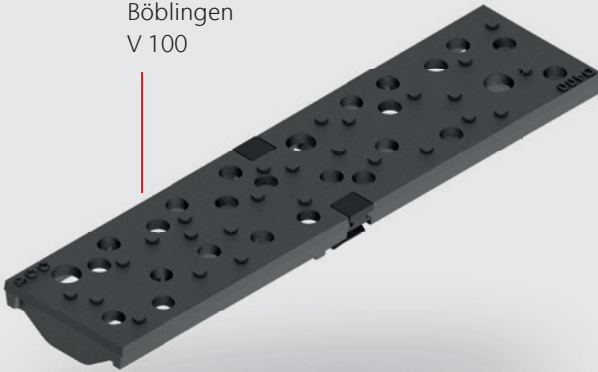
Available 'made to order'-designs

Architectural features such as entrances, promenades, courtyards and landscaped areas, can all have their appearance significantly enhanced through the creative use of ACO Freestyle gratings.

Design gratings available 'made to order' with a minimum of 50 pc.



Böblingen
V 100

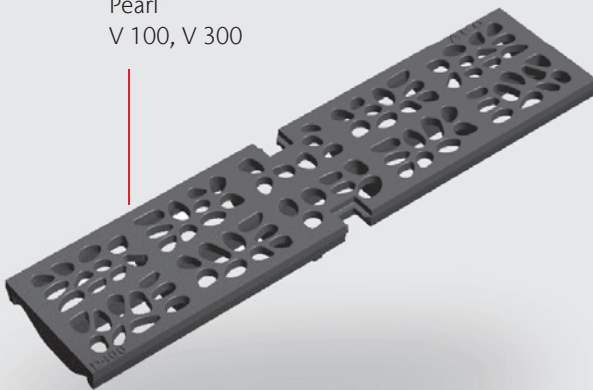


Wave 180
V 100, 150, 200, 300



NEW
gratings can be
turned 180°

Pearl
V 100, V 300



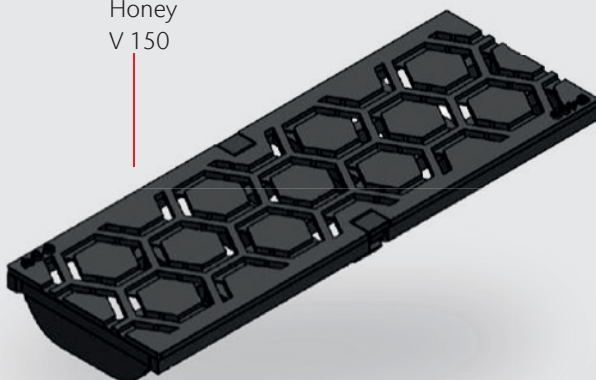
Buffalo
V 100



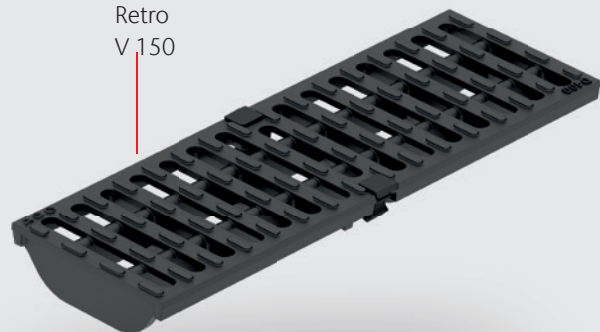
Voronoi
V 100, 150



Honey
V 150



Retro
V 150



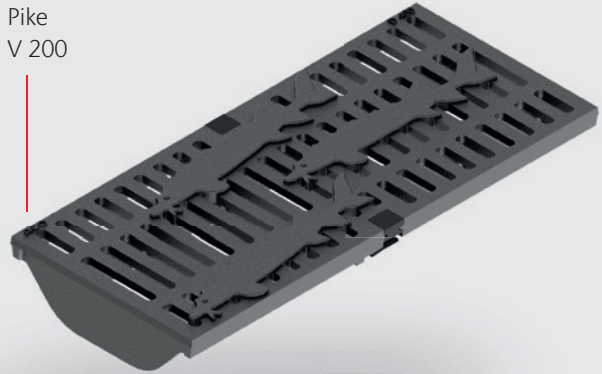


New freedom for linear drainage:
ACO Freestyle cast iron gratings are
designed according to your design
specifications or you can benefit
from the creativity of projects that
have already been implemented!

Monoblock
V 200



Pike
V 200



DrainBow
V 200



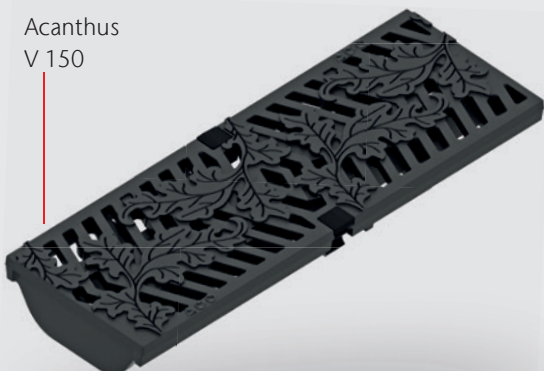
TreeA
V 200



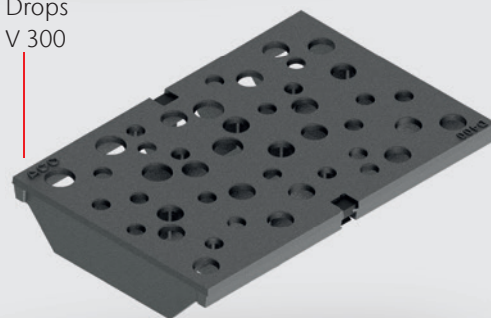
TreeB
V 200

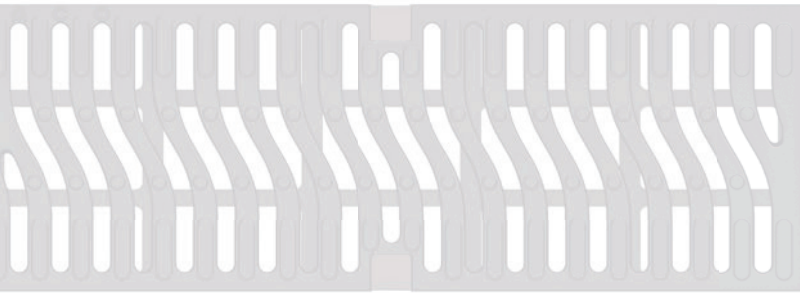


Acanthus
V 150

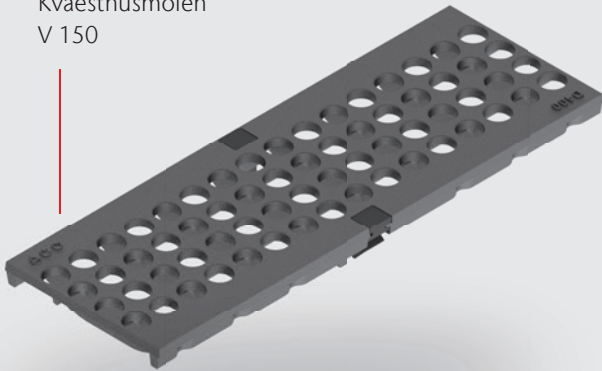


Drops
V 300

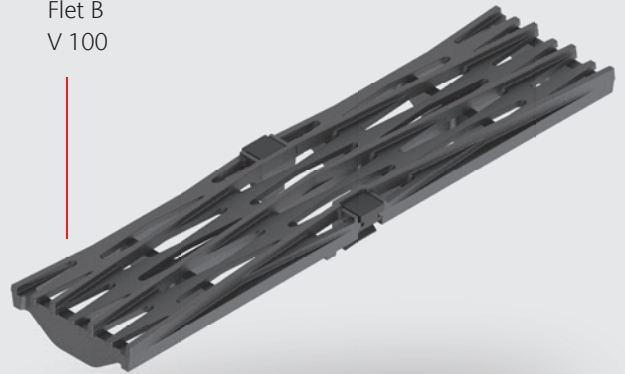




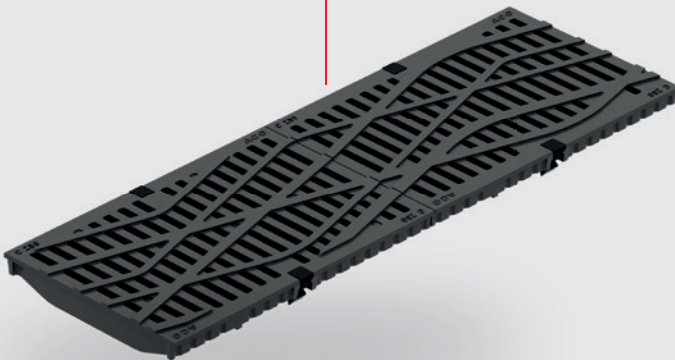
Kvaesthusmolen
V 150



Flet B
V 100



Krakowski
V 300



Lettering, notices, company names, signposts

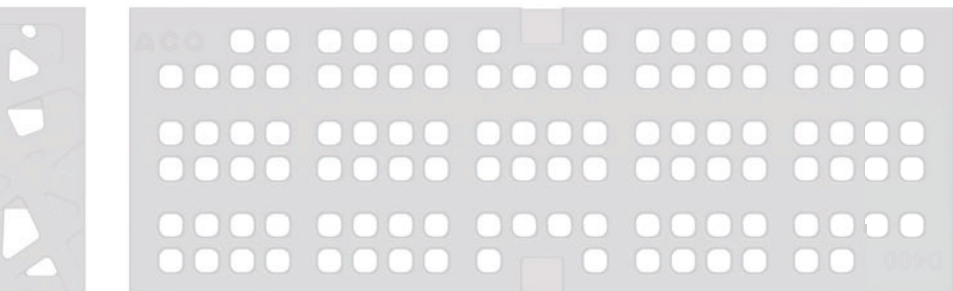
With the new innovative V 200 cover plate for ACO channels you can realise your inscription.

NEW

A highlight in your driveway are the ACO 'Letterplate' cover plates with individual inscriptions. As part of a larger order of Freestyle design gratings, we also offer these in a small series of 5 or more.

Letterplate
V 200





Running Dog Gratings with Corner solutions

The successful landscape architect [Julie Kierkegaard](#) from Denmark has worked with ACO to complete the grate design popular in Scandinavia with matching corner modules to create an attractive range.

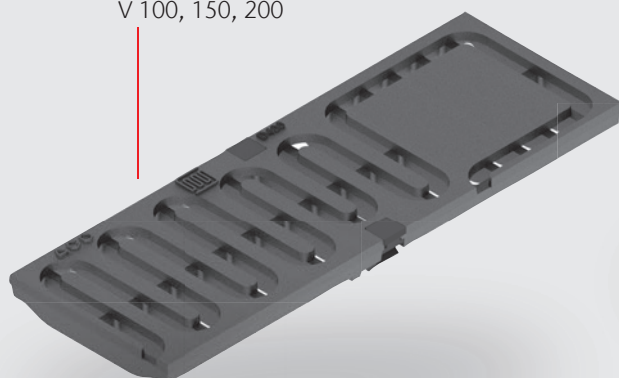
These elegant grates not only visually enhance your drainage system – the corners are also much easier for contractors to install. The system is usually available from stock.



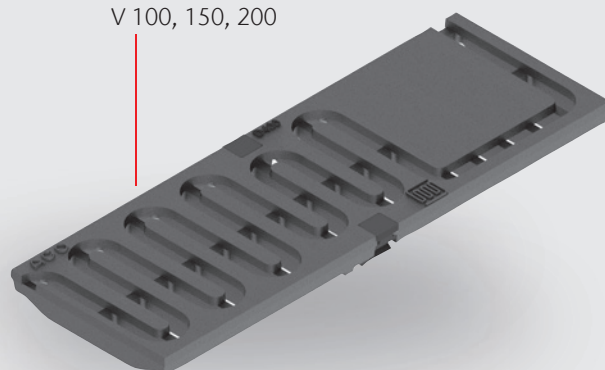
Running Dog
V 100, 150, 200



Running Dog
Corner dif. directions
V 100, 150, 200



Running Dog
Corner dif. directions
V 100, 150, 200



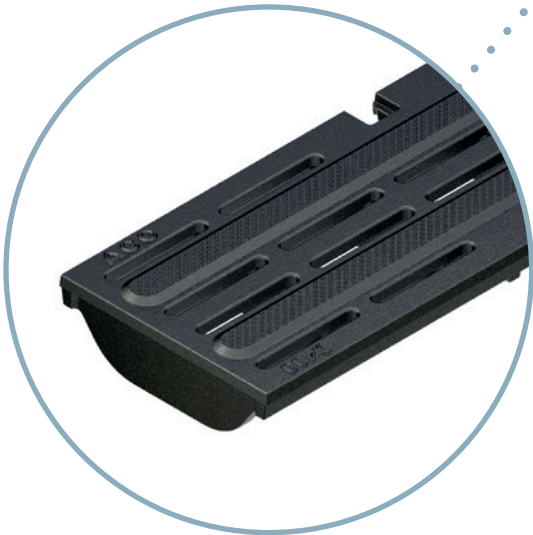
ACO Blind Lead System

ACO integrates drainage and blind guidance system

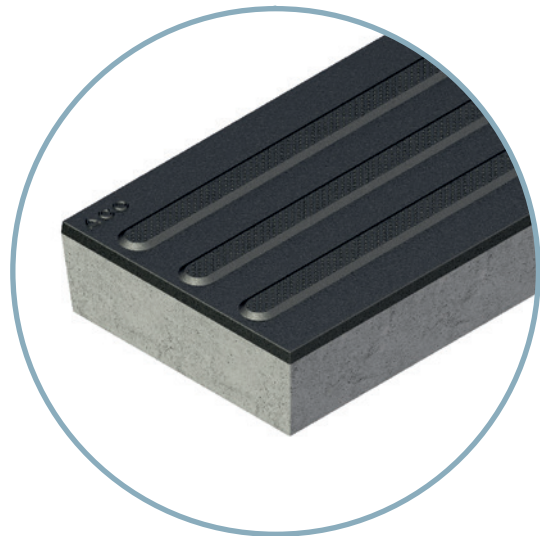
After the first generation of blind guidance systems, it was possible to apply the lines and dots required by the ISO standard to existing ACO gratings and stones (with design surfaces made of ductile cast iron) in cooperation with the Danish architect Kurth Brink-Brandenburg. The 'ACO Microgrip' anti-slip profile integrated here gives the blind guide gratings, stones and attention fields outstanding anti-slip properties.



In contrast to plastic or concrete surfaces, the robust ductile cast iron is ideally suited to create a durable, weather-resistant blind guidance system that can also withstand the strong mechanical loads during snow removal works.



ACO Blind Lead gratings



ACO Blind Lead bricks

Gratings – Bricks – Attention Fields

The ACO Blind Lead System offers blind lead **blocks** in the same width as the **gratings** incl. frame.

The systems of nominal widths 100, 150, 200 and 300 are supplemented with square dotted stones for marking an **attention field**.

Creativity in landscape architecture

ACO Freestyle cast iron gratings fulfil the desire according to individual solutions for exceptional linear drainage.

The unique design possibilities for cast iron gratings can, for example, express special features in pedestrian zones or promenades and highlight themes or events.

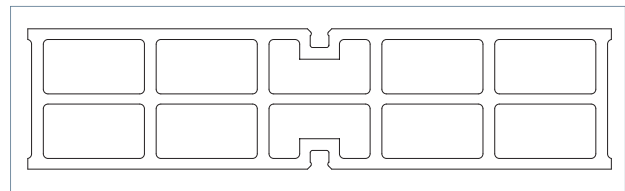
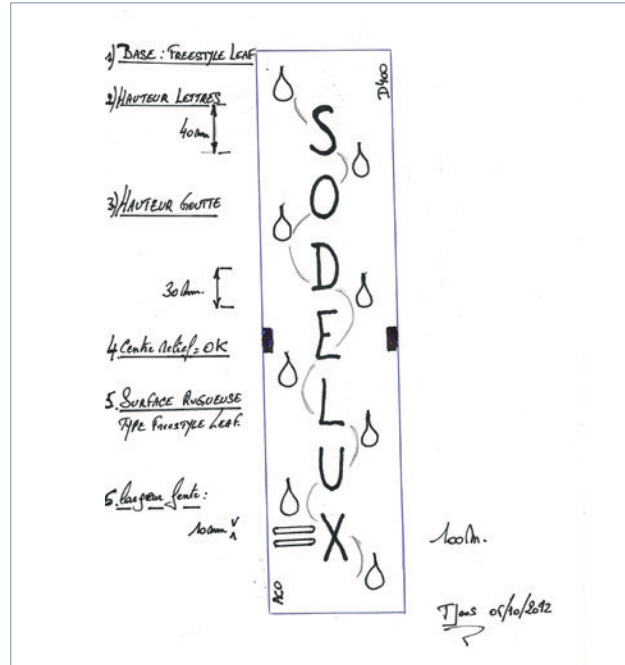
The development process is standardized. The production tool consists of two individual elements, the individual surface plate and the standard base.



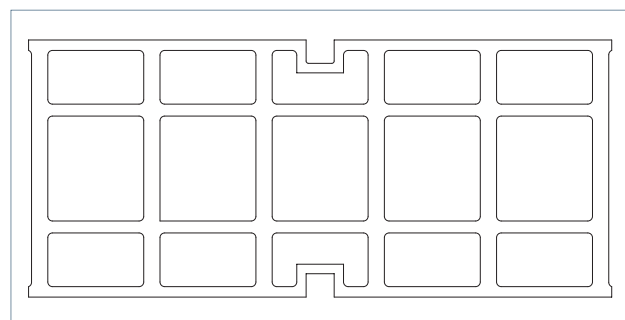
The only prerequisite is to have an idea. The gratings are then manufactured in the ACO foundry. You design – ACO takes care of the details!

1 Idea

Your design can be a drawing or already a CAD file.



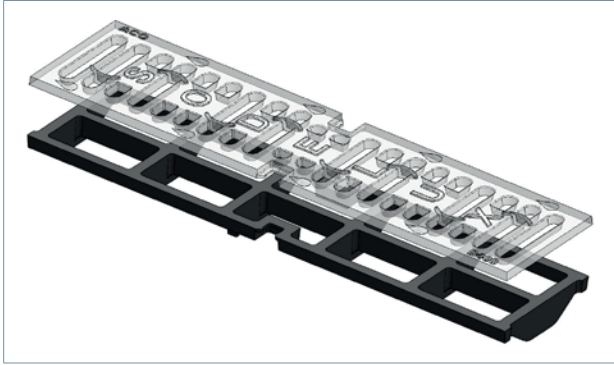
Shoring of the grate of nominal width 100 (500 x 123 mm)



Shoring of the grate of nominal width 200 (500 x 223 mm)

2 3D-Model

You can already develop the grate as a 3D model. As a basis, byou will gladly receive the corresponding basic data. Or ACO is developing the 3D model from your ideas.



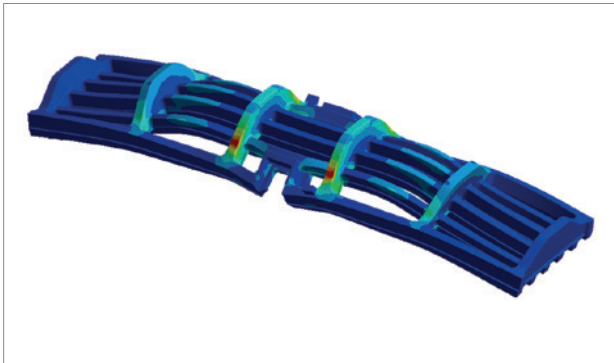
5 Casting

At ACO Guss foundry Kaiserslautern, Germany.



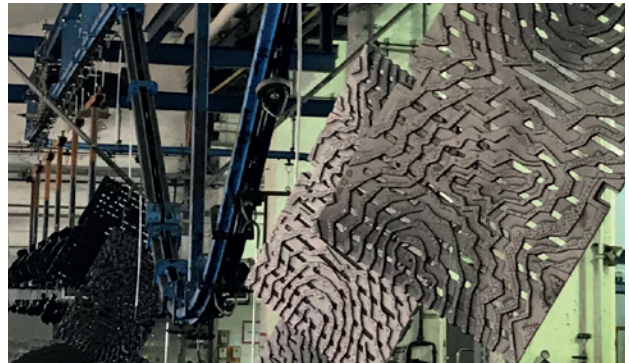
3 Design release

The new grate is then created or adapted by the development department. After the design release, the strength calculating starts and a casting simulation is done.



6 Surface protection

The standard surface protection is a waterbased colour.



4 Tool ordering

The production tools are manufactured.



7 Certification

The design grates are developed and tested based on the EN 1433 (and BSI UK). Due to the often smaller drainage area, Freestyle gratings cannot always be EN 1433 certified.



Beautiful surface solutions increase the value of your projects and delight customers and visitors. Whether with integrated lighting, non-slip surface or special solutions for corners. With FreeStyle, the ACO experts offer you the individuality, elegance or advanced functionality your project needs.

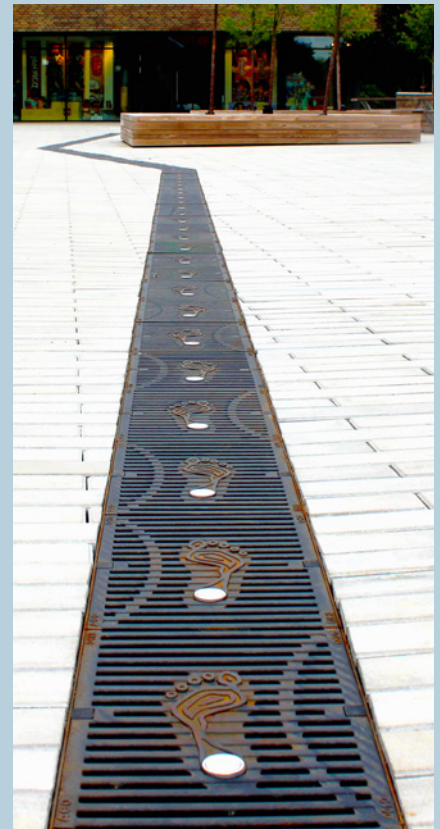
worldwide unique objects
with ACO Freestyle



ACO Freestyle 'Stör'
pedestrian zone Feldschmiede
Itzehoe, Germany



ACO Freestyle 'Tree A' and 'Tree B'
Belgium



ACO Freestyle 'ECCO'
Headquarter ECCO Group
Toosbuys Torv, Bredebro, Danmark



ACO Freestyle 'Renne'
Market square, Geilo, Norway



ACO Freestyle 'Nature'
Ekkersrijt Furniture Mall
Son en Breugel, Netherlands

ACO. we care for water

Intelligent drainage systems from ACO increasingly use smart technology to ensure that rainwater and wastewater are drained, or temporarily stored. With innovative separation and filter technology, we prevent water contamination. We accept the challenge of reusing water, and thus establishing a resource-saving cycle.

ACO Passavant Detego GmbH

Scheidertalstr. 3
65526 Aarbergen
Tel. +49 6120 28 8126
Fax +49 6120 28 6095
cast-iron-team@aco.com

www.aco-passavant-guss.de
www.aco.com

